

Diaphragm Pumps for Air, Gases and Vapours

INNOVATIVE
TECHNOLOGY
WORLDWIDE

KNF NEUBERGER



Series LABOPOINT® N 811 K_.18 Pumps

LABOPOINT® Mini Diaphragm Vacuum Pumps and Compressors

Technical features:

- 100% oil-free transfer
- Pure transfer, evacuation and compression
- For slightly aggressive or corrosive gases and vapours
- Maintenance-free
- Environmentally friendly
- Gastight, leakage rate approx. 6×10^{-3} mbar x l/s, not tested in serial production.

Series N 811 diaphragm pumps are single-head, dry-running devices used in a wide range of laboratory applications. They transfer, compress and pump down without contamination. The heart of these very compact pumps is a KNF structured diaphragm. This patented diaphragm was stress-optimized using the Finite Elements method. As a result, we were able to make the pumps smaller while increasing the service life of the diaphragm.

The pumps are available in various versions differing in the materials which contact the media.

Technical data:

	N 811 KN.18	N 811 KT.18
Delivery (l/min) ¹	11.5	11.5
Ultimate vacuum (mbar abs.)	240	290
Operating pressure (bar g)	2	2
Connectors for tube (mm)	ID 6	ID 6
Permissible gas and ambient temperature	+5...+40 °C	+5...+40 °C
Voltage/Frequencies	230V/50Hz	230V/50Hz
Motor protection	IP 20	IP 20
Power P ₁	65 W	65 W
Operating current	0.8 A	0.8 A
Weight	2.5 kg	2.5 kg
Dimensions LxHxW (mm)	187/157/90	187/157/90
With thermal switch and power fuse		

Material in contact with the pumped media

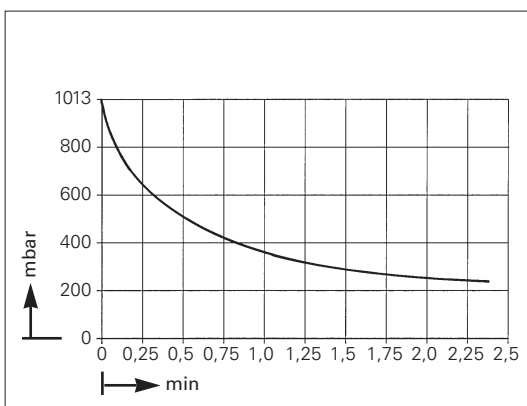
Type/OrderNo.	Pump head	Diaphragm	Valves
N 811 KN.18	PPS	EPDM	FPM
N 811 KT.18	PPS	PTFE-coated	FFPM

Motors with other voltages and frequencies on request.

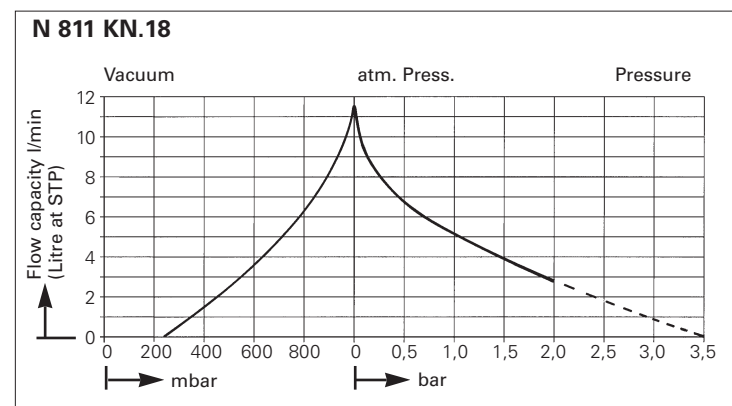
¹⁾ at atm. pressure

Dimensions and performance characteristics

Pump down time for 5 l receiver



Performance characteristics



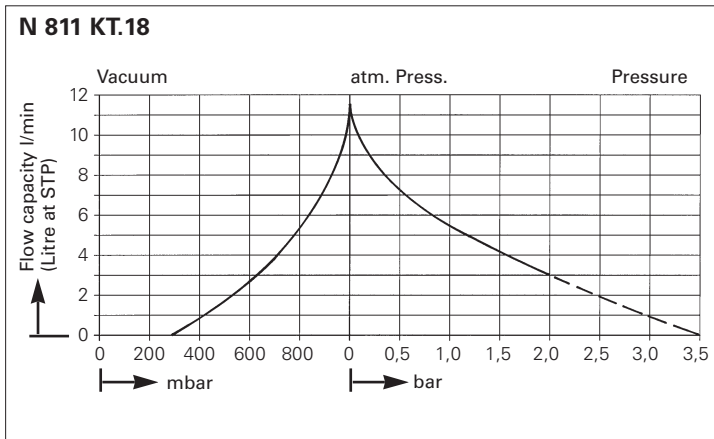
Diaphragm Pumps for Air, Gases and Vapours

INNOVATIVE
TECHNOLOGY
WORLDWIDE

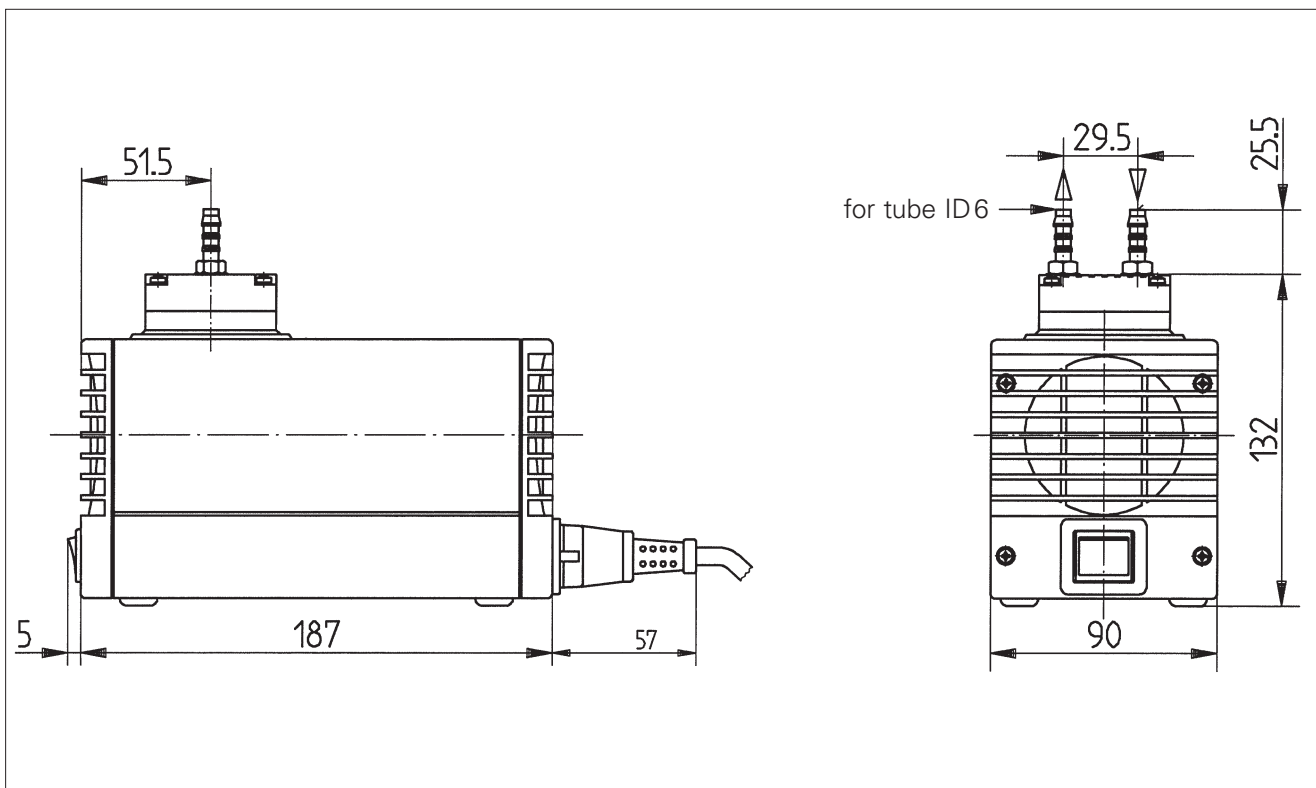
KNF
NEUBERGER



Performance characteristics



Dimensions (mm)



Accessories

Description	Details	Order No.
Silencer	G 1/8	000345
Filter	G 1/8	000346
Hose connector	G 1/8, PVDF, AD 6 mm	014052
Fine control valve with pressure gauge	pressure side	on request
Fine control valve with vacuum gauge	suction side	on request