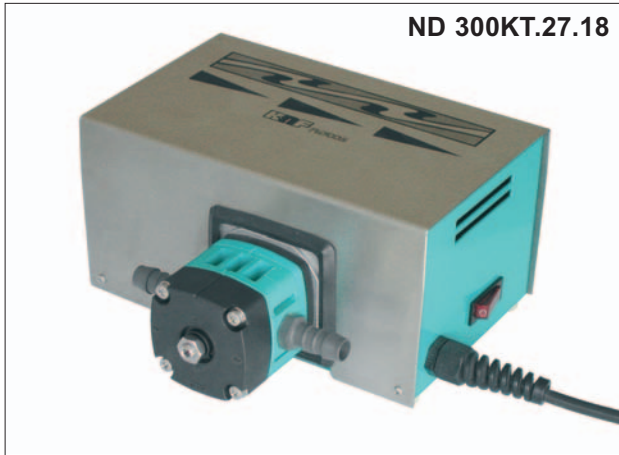


LIQUIPORT DIAPHRAGM LIQUID PUMPS ND 300 / 1.300

DATA SHEET E 782



Diaphragm liquid pumps with fixed flow rate

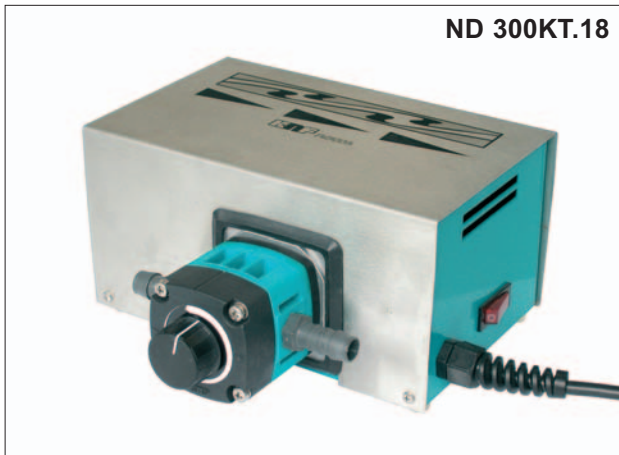
ND --.23.18

Standard head

ND --.27.18

Head with integrated overpressure valve

- chemically resistant
- self-priming and able to run dry
- no moving seals
- long lifetime
- maintenance-free
- quiet



Diaphragm liquid pumps with adjustable flow rate (variable resonating chamber)

ND --.18

- variable flow rate by using the KNF resonating chamber system
- chemically resistant
- self-priming and able to run dry
- no moving seals
- long lifetime
- maintenance-free
- quiet

Performance Data

Type	Max. flow rate (l/min)	Suction head (mWg)	Pressure head (mWg)
ND 300	██████████ 3.0	3	██████████ 10
ND 1.300	██████████ 3.0	3	██████████ 40



Diaphragm liquid pump with fixed flow rate

Max. flow rate at atmos. pressure ¹⁾ (l/min)	Maximum suction head (mWg)	Maximum pressure head (mWg)
3.0	3	10

¹⁾ with water at 20°C

Voltage	230V / 50Hz
Power consumption	96 W
I max.	0.86 A
Protection class	IP 21
Allowed ambient temperature	+5 ... +40 °C
Hose (I.D.)	12 mm
Weight	2.8 kg / 3.0 kg

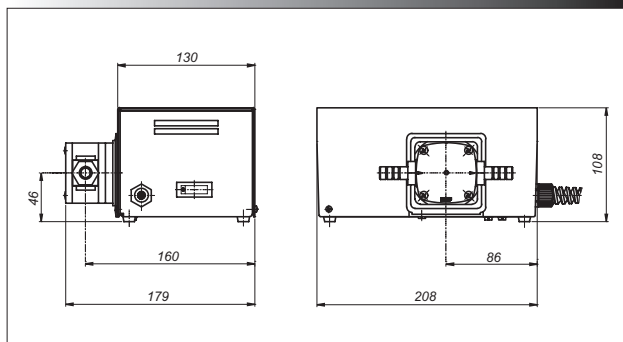
Diaphragm liquid pump with adjustable flow rate (variable resonating chamber)

Max. flow rate at atmos. pressure ¹⁾ (l/min)	Maximum suction head (mWg)	Maximum pressure head (mWg)
3.0	3	10

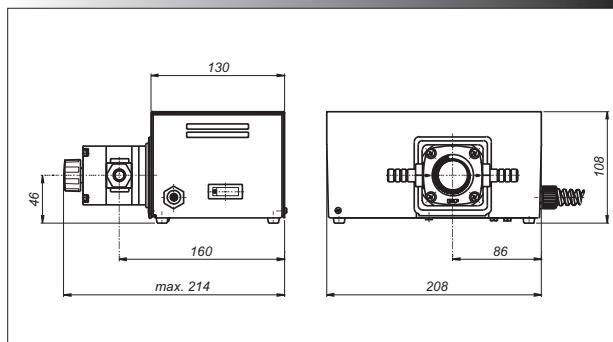
¹⁾ with water at 20°C

Voltage	230V / 50Hz
Power consumption	96 W
I max.	0.86 A
Protection class	IP 21
Allowed ambient temperature	+5 ... +40 °C
Hose (I.D.)	12 mm
Weight	3.0 kg

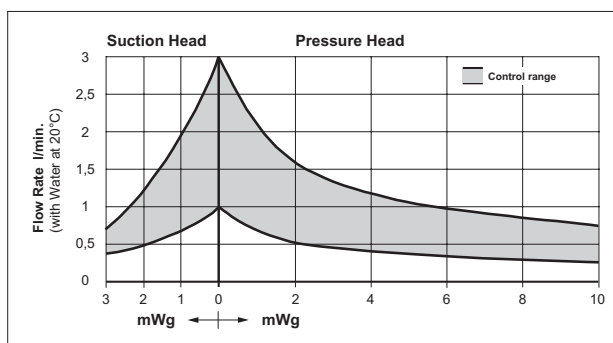
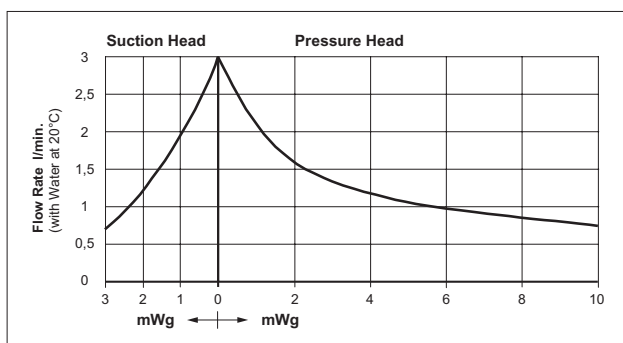
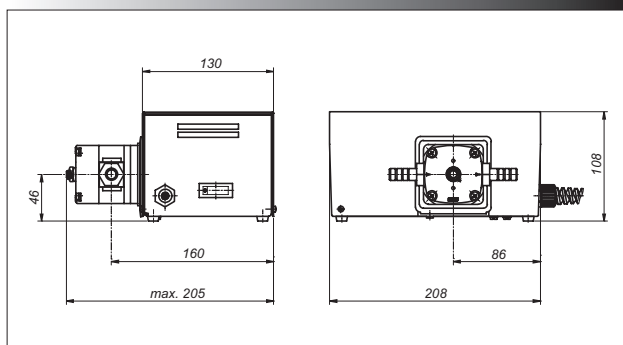
ND 300-.23.18



ND 300-.18



ND 300-.27.18



ND 1.300–.23.18 ND 1.300–.27.18

ND 1.300–.18



Diaphragm liquid pump with fixed flow rate

Max. flow rate at atmos. pressure ¹⁾ (l/min)	Maximum suction head (mWg)	Maximum pressure head (mWg)
3.0	3	40

¹⁾ with water at 20°C

Voltage	230V / 50Hz
Power consumption	96 W
I max.	0.86 A
Protection class	IP 21
Allowed ambient temperature	+5 ... +40 °C
Hose (I.D.)	12 mm
Weight	3.0 kg / 3.2 kg

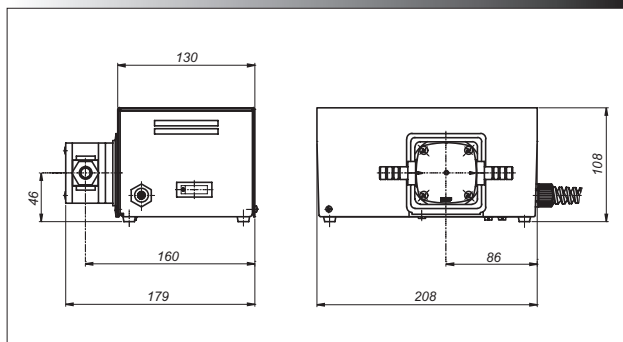
Diaphragm liquid pump with adjustable flow rate (variable resonating chamber)

Max. flow rate at atmos. pressure ¹⁾ (l/min)	Maximum suction head (mWg)	Maximum pressure head (mWg)
3.0	3	40

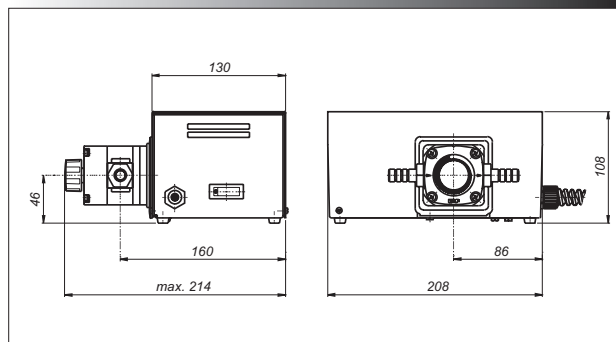
¹⁾ with water at 20°C

Voltage	230V / 50Hz
Power consumption	96 W
I max.	0.86 A
Protection class	IP 21
Allowed ambient temperature	+5 ... +40 °C
Hose (I.D.)	12 mm
Weight	3.2 kg

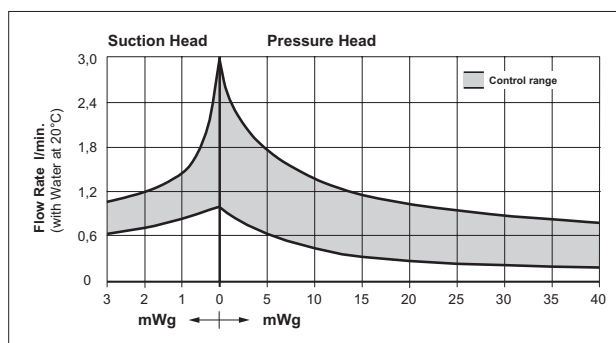
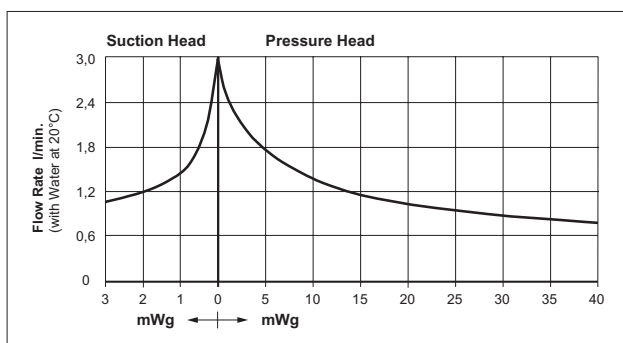
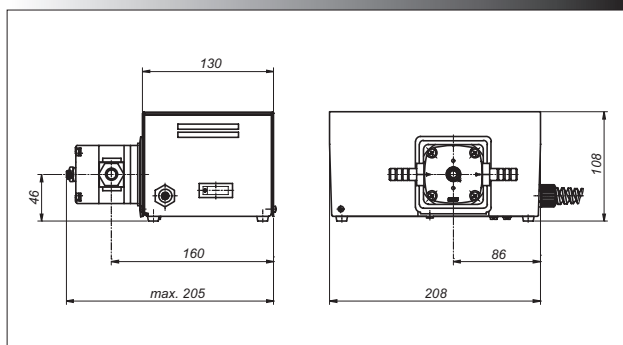
ND 1.300–.23.18



ND 1.300–.18



ND 1.300–.27.18



The KNF Modular Concept of Selection



Our versatile self-selection program allows you to personally determine the optimum characteristics that you require from your pump. Select your diaphragm pump from the following characteristics:

Pump type				
Basic model	Components			
	1	2	3	4
ND 300			.18	
ND 1.300			.18	

Example of pump selection

Pump type/Order No: **ND 300 KT.27.18 230V/50Hz**

is a pump with

- head components in PP, PTFE and Viton (**KT**)
- integrated overpressure valve (**.27**)
- **230V/50Hz** voltage

1	Materials of head components	
KT	Head	PP
	Valves	PTFE
	Diaphragm	PTFE-coated
	O-Ring	Viton
KTS	Head	PP
	Valves	PTFE/Stainless Steel
	Diaphragm	PTFE-coated
	O-Ring	Viton
TT	Head	PVDF
	Valves	PTFE
	Diaphragm	PTFE-coated
	O-Ring	PTFE
TTS	Head	PVDF
	Valves	PTFE/Stainless Steel
	Diaphragm	PTFE-coated
	O-Ring	PTFE

2	Head types
.23	Standard model (fixed flowrate)
—	With adjustable flow rate (KNF resonating chamber system)
.27	Integrated overpressure valve (limit the pressure head)

4	Selection Voltage / Frequencies
	230V / 50Hz 115V / 60Hz 100V / 50-60Hz

KNF FLODOS AG, Wassermatte 2, 6210 Sursee, Switzerland
Telephone ++41 41 925 00 25, Fax ++41 41 925 00 35
www.knf-flodos.ch, info@knf-flodos.ch

INNOVATIVE
TECHNOLOGY
WORLDWIDE

