

# N 860 SERIES VACUUM PUMPS



N 860 FTE, chemically resistant



N 860 ANE



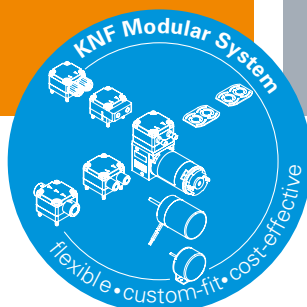
N 860.3 ANE

## ADVANTAGES

- High chemical resistance
- High flow rate until deep vacuum conditions
- High-speed evacuation

## POSSIBLE AREAS OF USE

- Vacuum drying oven
- Industrial laser technology – performing gas exchange
- Energy technology – production of photovoltaic cells



Please visit our website  
[www.knf.com](http://www.knf.com)  
to get more information

## PERFORMANCE DATA

Series model	N 860			N 860.3		
	ANE	ATE	FTE	ANE	ATE	FTE
Pump head	Aluminum			Aluminum		
Diaphragm	EPDM	PTFE-coated		EPDM	PTFE-coated	
Valves	EPDM	FFPM		EPDM	FFPM	
Flow rate at atm. pressure (l/min)	60.0					
Ultimate vacuum (mbar abs.)	80			2		
Max. operating pressure (bar rel./psig)	1.0/14.5					
Permissible ambient temperature (°C)	+5 ... +40					
Permissible media temperature (°C)	+5 ... +40					
Weight (kg/lbs)	12.7/27.9		12.5/27.5	14.7/32.3		14.3/31.5

## ELECTRICAL DATA

Voltage (V)	230	
Motor	Capacitor motor	
Protection class motor	IP 54	
Frequency (Hz)	50	
Power P <sub>1</sub> (W)	200	220
I <sub>max</sub> (A)	1.50	1.60

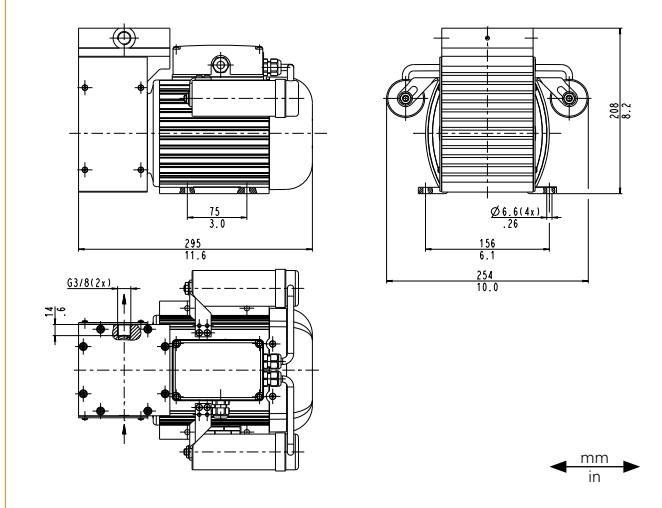
# N 860 ANE | ATE | FTE

## PERFORMANCE DATA

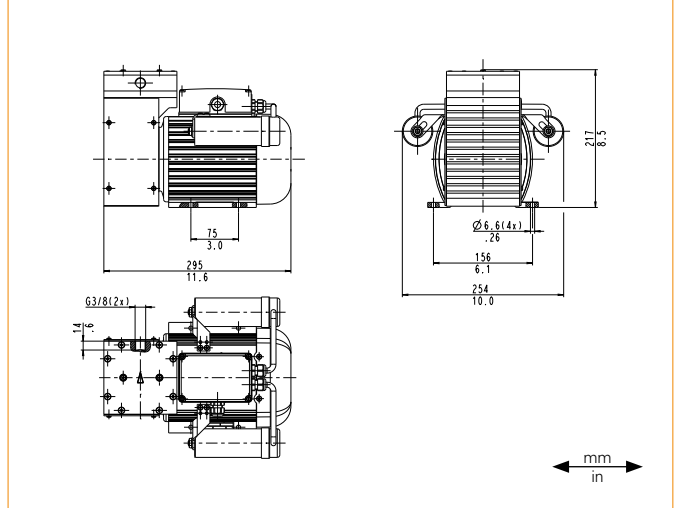
Series model	Flow rate at atm. pressure (l/min) <sup>1)</sup>	Max. operating pressure (bar rel./psig)	Ultimate vacuum (mbar abs.)
N 860 ANE	60.0	1.0/14.5	80
N 860 ATE	60.0	1.0/14.5	80
N 860 FTE	60.0	1.0/14.5	80

<sup>1)</sup> Liter at STP

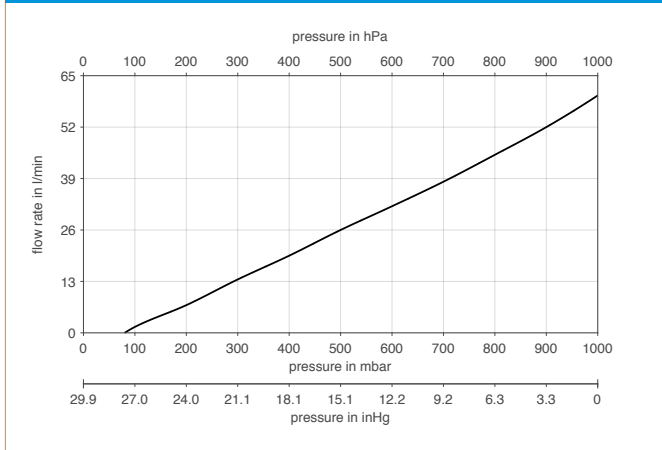
### N 860 A\_E



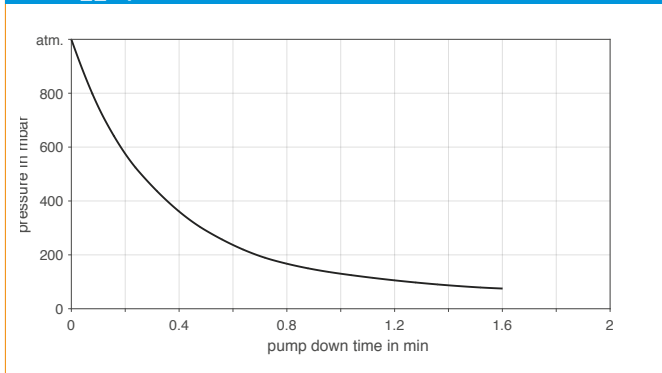
### N 860 FTE



### N 860 \_\_E



### N 860 \_\_E | PUMP DOWN TIME FOR 20 LITER VESSEL



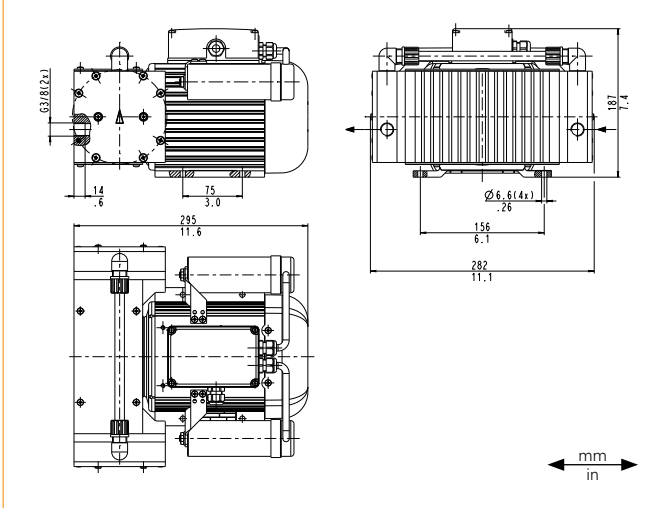
# N 860.3 ANE | ATE | FTE

## PERFORMANCE DATA

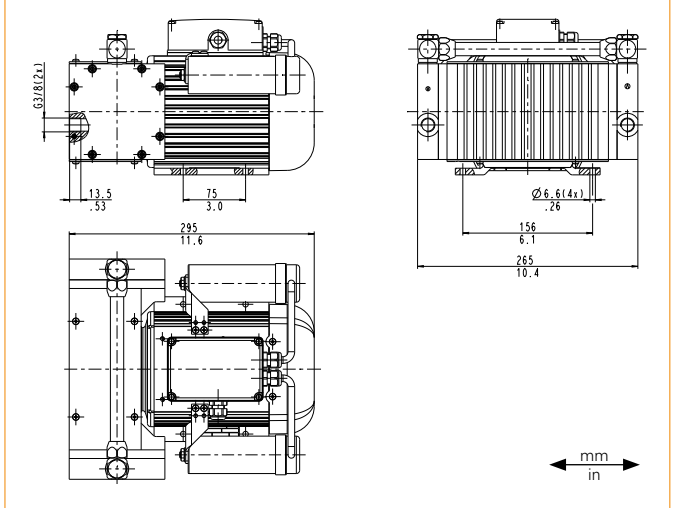
Series model	Flow rate at atm. pressure (l/min) <sup>1)</sup>	Max. operating pressure (bar rel./psig)	Ultimate vacuum (mbar abs.)
N 860.3 ANE	60.0	1.0/14.5	2
N 860.3 ATE	60.0	1.0/14.5	2
N 860.3 FTE	60.0	1.0/14.5	2

<sup>1)</sup> Liter at STP

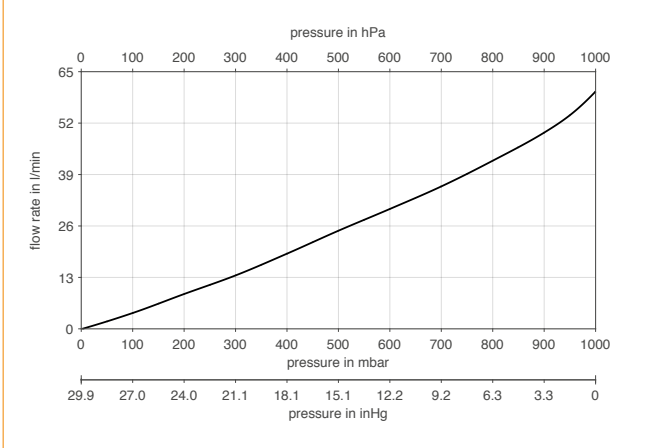
### N 860.3 A E



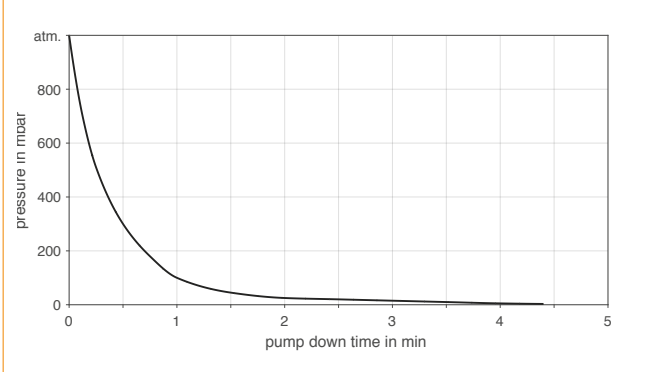
### N 860.3 FTE



### N 860.3 \_ E



### N 860.3 \_ E | PUMP DOWN TIME FOR 20 LITER VESSEL



## ACCESSORIES

Description	Part No.	Details
Silencer	045993	G 3/8
Inlet filter	046164	G 3/8
Hose connector	045859	G 3/8 / Ms
Hose connector	046851	G 3/8 / PVDF
Gasket	044982	

## SPARE PARTS

Description	Part No.	Details
Spare parts kit N 860 ANE	047496	
Spare parts kit N 860 ATE	047497	
Spare parts kit N 860 FTE	047497	
Spare parts kit N 860.3 ANE	047498	
Spare parts kit N 860.3 ATE	047499	
Spare parts kit N 860.3 FTE	047499	

The performance values for the series models shown on this data sheet were determined under test conditions. The actual performance values may differ and depend in particular on the usage conditions and therefore on the specific application, on the parameters of the components involved in the user's system and on any technical modifications carried out which deviate from the standard configuration or the as delivered condition.

If individual designs have been created for specific customers on the basis of series models, other technical performance data may apply.

Before operation begins, the relevant operating instructions and/or assembly or installation instructions should be read and the safety information contained in these instructions should be noted.

KNF reserves the right to make changes to the product and the associated documentation without prior notice to the customer.



[www.knf.com](http://www.knf.com)