

# N 87 SERIES

## CHEMICALLY RESISTANT GAS SAMPLING PUMPS



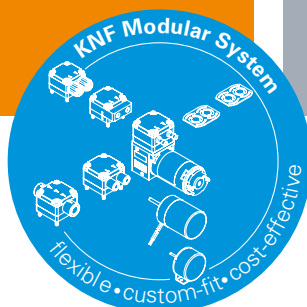
N 87 TTE

### ADVANTAGES

- High chemical resistance
- Robust design
- Copes well with vapor and condensation
- High level of performance in a compact size

### POSSIBLE AREAS OF USE

- Environmental monitoring – especially in stationary emission measurement technology (CEMS)
- Process industry
- Chemical industry



Please visit our website  
[www.knf.com](http://www.knf.com)  
 to get more information

### PERFORMANCE DATA

<b>Series model</b>	<b>N 87</b>
<b>Material design</b>	<b>TTE</b>
Pump head	PVDF
Diaphragm	CR, PTFE-coated
Valves	FFPM
Flow rate at atm. pressure (l/min)	7.5
Ultimate vacuum (mbar abs.)	140
Max. operating pressure (bar rel./psig)	1.5/21.8
Permissible ambient temperature (°C)	+5 ... +40
Permissible media temperature (°C)	+5 ... +40
Weight (kg/lbs)	3.1/6.8

### ELECTRICAL DATA

Voltage (V)	230
Motor	Capacitor motor
Protection class motor	IP 54
Frequency (Hz)	50
Power P <sub>1</sub> (W)	60.0
I <sub>max</sub> (A)	0.30

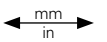
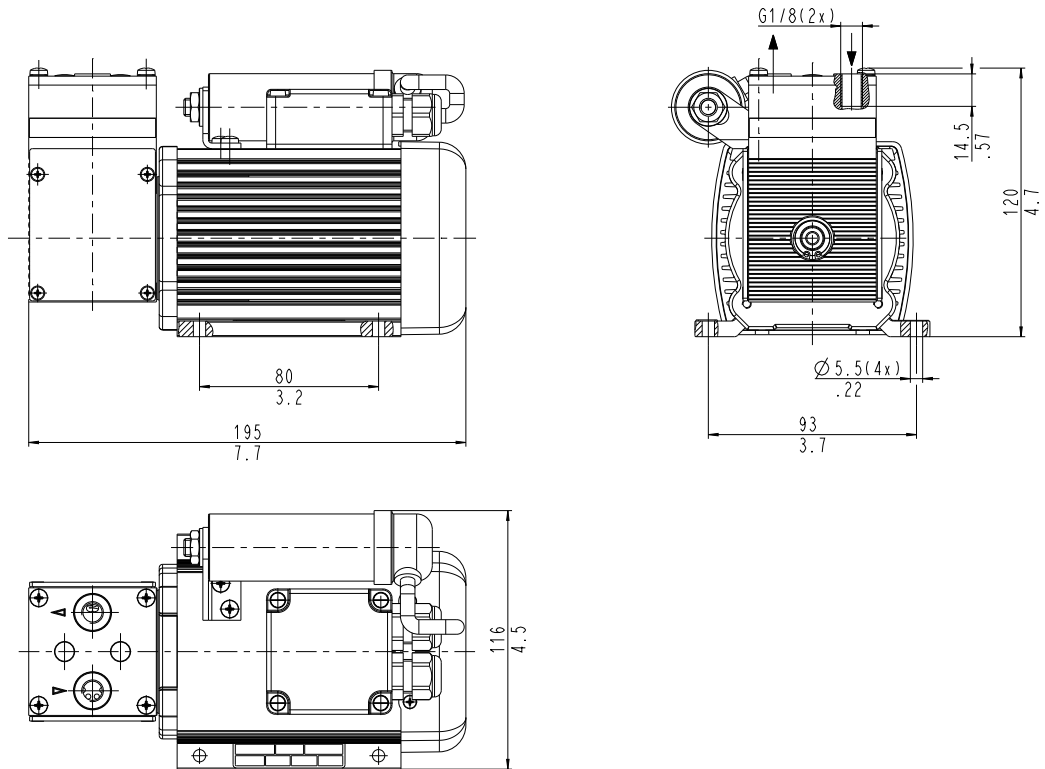
# N 87 TTE

## PERFORMANCE DATA

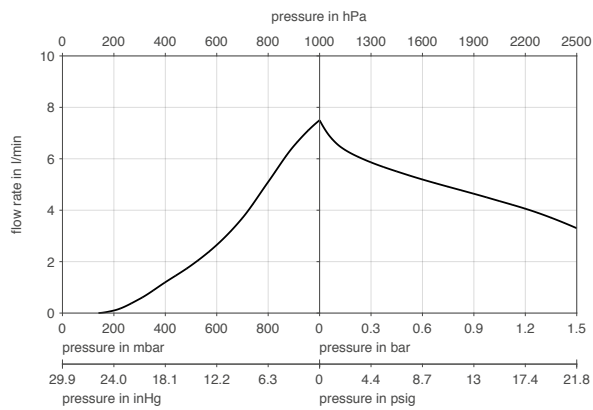
Series model	Flow rate at atm. pressure (l/min) <sup>1)</sup>	Max. operating pressure (bar rel./psig)	Ultimate vacuum (mbar abs.)
N 87 TTE	7.5	1.5/21.8	140

<sup>1)</sup> Liter at STP

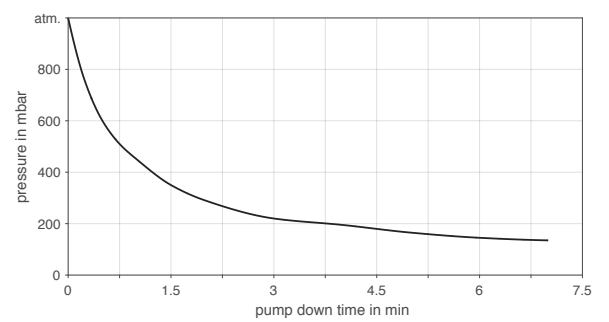
## N 87 TTE



## N 87 TTE



## N 87 TTE | PUMP DOWN TIME FOR 5 LITER VESSEL



ACCESSORIES		
Description	Part No.	Details
Hose connector for tube ID 6	123363	PVDF, G 1/8
Inserted screw connection D 6	014049	PVDF, G 1/8

SPARE PARTS		
Description	Part No.	Details
Valve plate/sealing	057172	
Structured diaphragm	024490	

The performance values for the series models shown on this data sheet were determined under test conditions. The actual performance values may differ and depend in particular on the usage conditions and therefore on the specific application, on the parameters of the components involved in the user's system and on any technical modifications carried out which deviate from the standard configuration or the as delivered condition.

If individual designs have been created for specific customers on the basis of series models, other technical performance data may apply. Before operation begins, the relevant operating instructions and/or assembly or installation instructions should be read and the safety information contained in these instructions should be noted. KNF reserves the right to make changes to the product and the associated documentation without prior notice to the customer.



[www.knf.com](http://www.knf.com)

